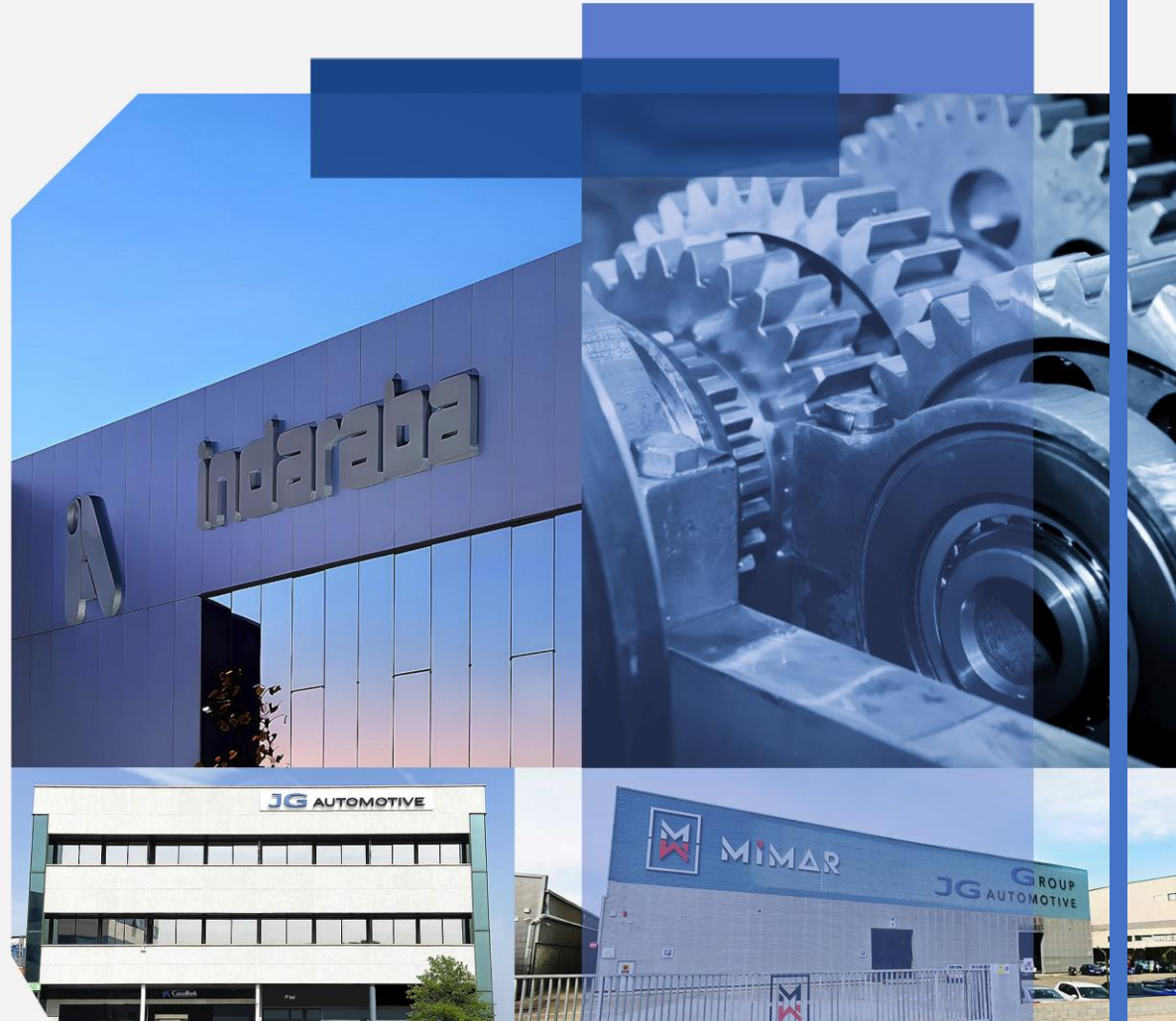




# Corporate Dossier





**BENDING  
STAMPING**

**JG** **GROUP**  
**AUTOMOTIVE**  
Your partner in metal solutions



*about*

## ABOUT US

In **November 2024**, **Talleres Grala** adopted the name **Bending & Stamping**, becoming part of the **JG Automotive Group** and further strengthening our ability to deliver **innovative** and **technologically advanced solutions** on a **global scale**.

Since **1965**, we have been synonymous with **quality** and **commitment** in **industrial manufacturing**. Based in **Zaragoza**, we bring decades of experience, versatility in production processes, and a strong customer-oriented approach. This positions us as a **strategic partner** in bringing **manufacturing projects** to life.

With a team of **over 35 highly skilled professionals** and a **4,000 m<sup>2</sup> facility**, we are fully equipped to provide **comprehensive solutions**. Our technical expertise spans from design to manufacturing and assembly of parts and components, utilizing stamping, bending, cutting, deep drawing, and welding processes.

Backed by **JG Automotive**, we reinforce our **commitment** to delivering **value, quality and reliability** in every project, strengthening **trusted relationships** with our clients.

# JG AUTOMOTIVE

Your partner in metal solutions

*about*

## JG AUTOMOTIVE

**JG Automotive** was founded in **1982**, specializing in the **manufacturing, development, and supply of metallic and mechanical components** for the **automotive** and **industrial** sectors.

In **2002**, together with **18 international partners**, we founded **Global Alliance Automotive**, a group with **230 engineers** working in cooperation. Our manufacturing network spans Brazil, Germany, China, India, Italy, Japan, South Korea, and the United States, among others, with a combined turnover of **€1.72 billion**.

**JG Automotive** is a benchmark supplier and manufacturer of custom metallic components for the automotive and general industrial sectors, utilizing the most advanced technologies in forging, casting, machining, stamping, bar turning, and sintering.

Thanks to our **expertise** in these **production technologies**, we have **diversified** our **industrial reach** and **optimized** our **work processes**.

# JG AUTOMOTIVE

Your partner in metal solutions

customers

## AUTOMOTION

### DIRECT CLIENTS



- Baires (Buenos Aires)
- Bielefeld Unformtechnik GmbH.
- Cerveira Lda.
- Esmar
- Global Tooling S.L.
- Puebla Sa De Cv
- Vendas Novas Unipessoal



- Goiaín
- Forjas Minas
- Gameko
- Mar Sk Ro
- Mecauto
- Nova Recid
- Recitec
- Zdanice
- Egaña



- Kober
- SAS
- Paderborn



- Polska
- SaDeCv



- ITW Mikalor
- ITW Global Fastener España
- ITW Shakeproof
- ITW Rivex



- ZF Friedrichshafen AG
- ZF Hungaária KFT
- ZF Boutheaon S.A.S
- ZF do Brasil
- ZF Kama



- Altan Plastik
- Aptiv
- Irfan Plastik
- OcakKalip



- Ponedera



- JD Germany
- JD USA
- JD Spain

### INDIRECT CLIENTS



- Adient | Alagon
- Adient | Calatorap



- Kayaba Suspensions Europe



- Sekurit Spain
- Sekurit Portugal



# JG AUTOMOTIVE

Your partner in metal solutions

customers

## | AUTOMOTION

### DIRECT CLIENTS



TRISTONE



- Metalsmelting
- Microplásticos
- Plásticos ABC
- Promot Zakłady Metalowe
- Schmittergroup AG
- Thermolympic S.L.
- Vactron S.A
- Alcorta Forging Group
- Apinex
- Argus Fluidhandling LTD.
- Booster Precision Industrial
- Beon Automotive
- BST Rods
- Cigüeñales Sanz
- Comercial de La Forja
- Denso Group
- Dresser-Rand
- Grupo Riza
- Industrias Ochoa
- Kendrion GmbH

### INDIRECT CLIENTS



- Cikautxo
- Edscha
- Freudenberg
- MMM Autoparts
- Montajes Abrera
- NSG Pilkington
- Pierburg



# JG AUTOMOTIVE

Your partner in metal solutions

customers

## INDUSTRY

### DIRECT CLIENTS

- AMPO
- Axolia Luxembourg
- Covalma
- CAF Signalling
- Diametal SAS France S.A.S.
- Expal
- Electrowatt France
- Grupo Klam
- Grupo Betico
- Hitachi
- Grupo Defontaine
- Hellstens Mecaniska AB
- Comexi
- Flex
- Rotrans
- MRO Defence S.L.
- Mondragon Group
- Ros Roca
- Rexnord Flaptop Europe
- Sedecal
- Thielmann Spain
- TSK Flagsol GmbH
- United Tech. (UTC)
- Wistra GmbH
- Vilisto GmbH
- Roquet
- Zitron S.A.
- Multi-Wing
- Araven

## AGRICULTURE

### DIRECT CLIENTS

- Bellota
- CBM S.p.A.
- Osmag
- Capilla
- Sistemas Horticolas Almeria
- Tenias
- Agrimac

### INDIRECT CLIENTS

- Columbia Gear Corporation

## ELEVATION

### DIRECT CLIENTS

- HIAB
  - HIAB Finland Oy
  - HIAB Poland SP Z.O.O
  - HIAB Sweden AB
  - HIAB Shanghai
  - DEL Equipment Ltd
  - HIAB Cranes S.L.
  - Waltco Lift Corporation
- Cemvisa Vicinay
- MP Componentes
- Stacke
- Wittur
- Zardoya Otis

## WIND ENERGY

### DIRECT CLIENTS

- Hine
- Vestas®
- Siemens Gamesa
- Glual

## NAVAL

### DIRECT CLIENTS

- Navantia
- MG Sanders
- Guascor Energy
- Irongrip

## RAILWAY

### DIRECT CLIENTS

- Stadler Valencia
- Vossloh España
- Barat Group
- Alstom
- CAF
- Refis

## BUSES

### DIRECT CLIENTS

- Hispacold
- Irizar
- Leciénena

## MOTORCYCLES

### DIRECT CLIENTS

- Gas Gas
- Sherco
- Rieju
- Torrot

## HIGH-PRESSURE BOTTLES

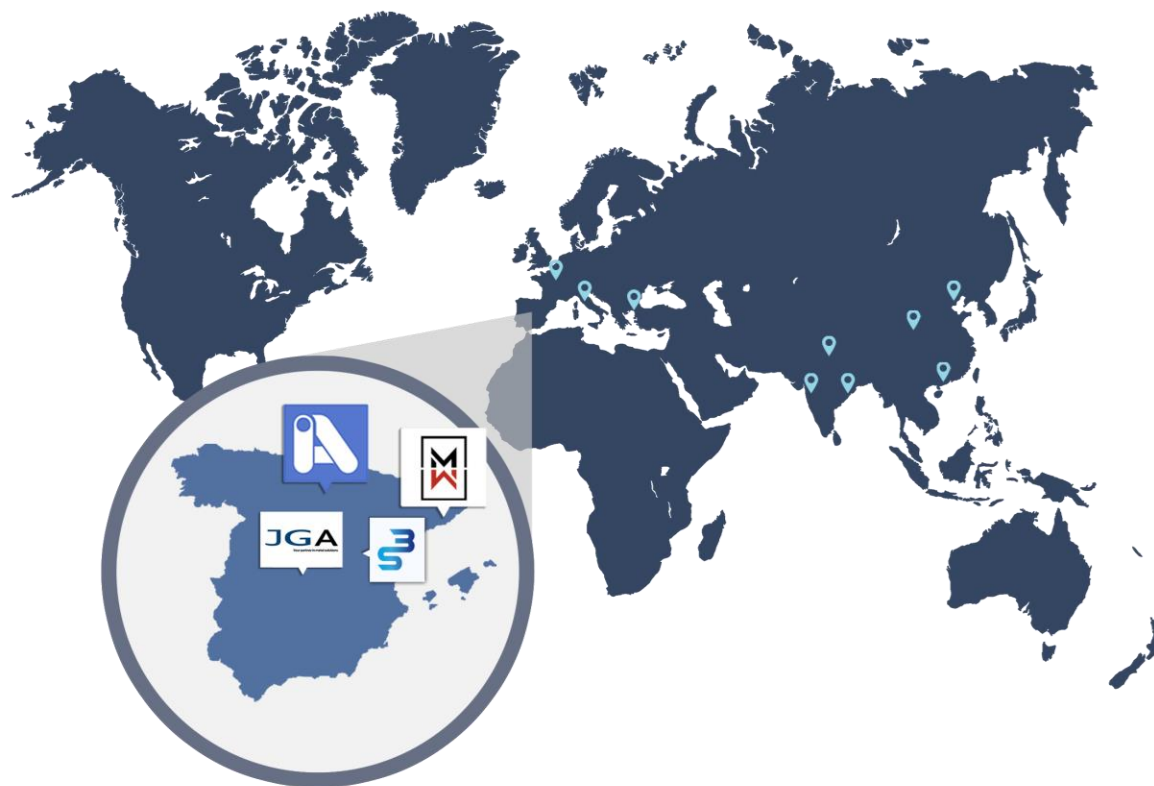
### INDIRECT CLIENTS

- Dräger Medical Hispania
- Linde Group
- Marioff Hi-Fog
- Praxair

# JG AUTOMOTIVE

Your partner in metal solutions

*international presence*




## HEADQUARTERS

 Madrid

## FACTORIES

 Barcelone

 Vitoria-Gasteiz

 Zaragoza

## OFFICES

 Istanbul

 Ningbo

 Delhi

 Torino

 Chennai

 Barcelone

 Chongqing

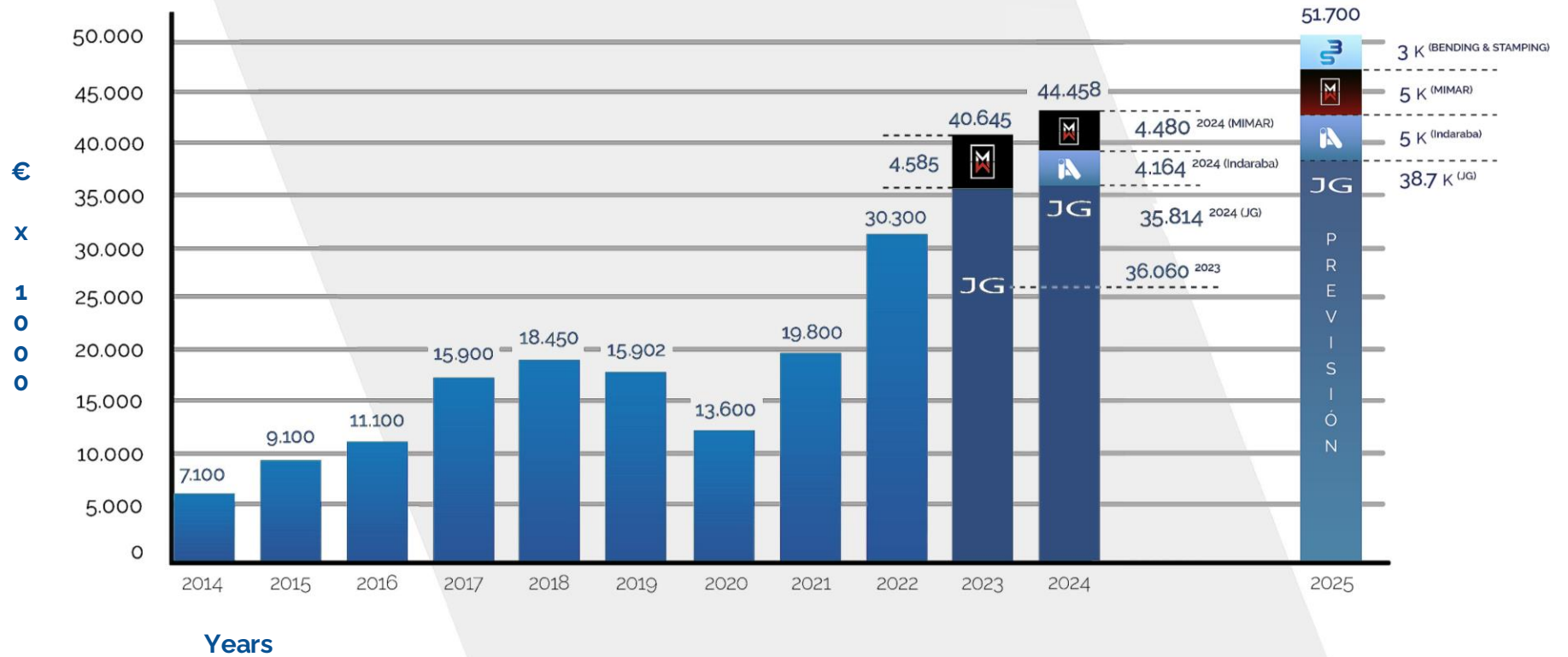
 Lyon



# JG AUTOMOTIVE

Your partner in metal solutions

sales

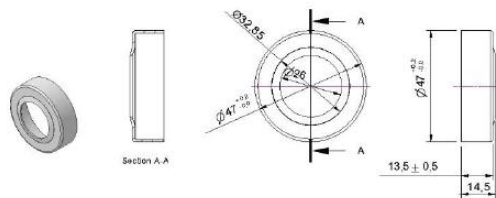


## STAMPING

**Eccentric press operations** ranging from **400 to 5,000 KN**, including **deep drawing, cutting, and stamping processes** for materials up to **8 mm thick** and **500 mm wide**.

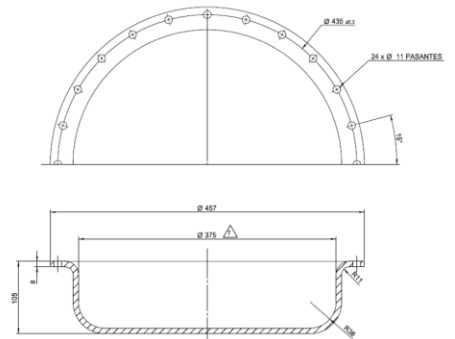
### Presses with Feeders

- **Esna 100 Tm.** Gripper feeder, up to **250 mm feed length**. Feeder capacity: up to **250 mm strip width** and **3 mm thickness**.
- **Esna 160 Tm.** Roller feeder, up to **600 mm feed length**. Feeder capacity: **40 to 300 mm strip width**, with thicknesses from **0.5 mm to 4 mm**.
- **Arisa 500 Tm.** Roller feeder with **no feed length limit**. Feeder capacity: up to **500 mm strip width** and **8 mm thickness**.



### Presses without Feeders

- Esna 40 Tm
- Esna 45 Tm
- Esna 80 Tm
- Aitor 250 Tm
- Esna 315 Tm



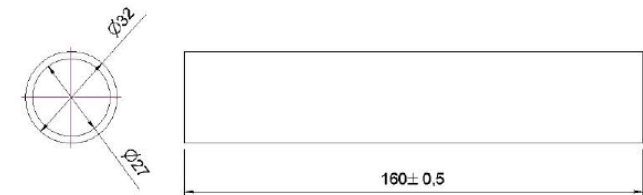
*Deep-drawn component made from eight gauge sheet metal for industrial valves.*

## TUBE CUTTING

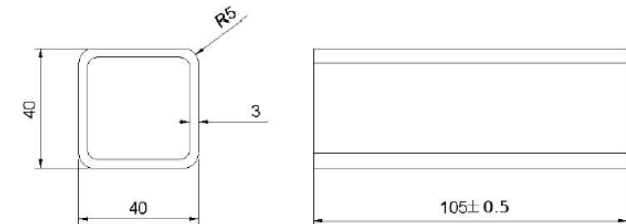
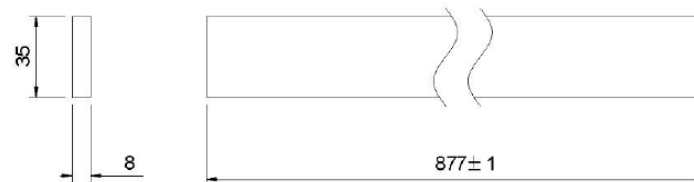
We have **CNC Adige machines** with automatic feeding for cutting **tubes and rods** (ranging from 65 mm to 3000 mm), along with **two semi-automatic saws**, a **small band saw**, a **pivoting saw**, and a **manual saw**.

The **cutting capacity** depends on the **tube shape**:

- **Round tube:** Up to 102 mm in diameter.
- **Square tube:** Up to 80 mm per side.
- **Rectangular tube:** Up to 100×60 mm.



The **maximum cutting length** for the automatic saw is 3 m, while the **maximum bar length** that can be processed is 6 m.



## TUBE BENDING

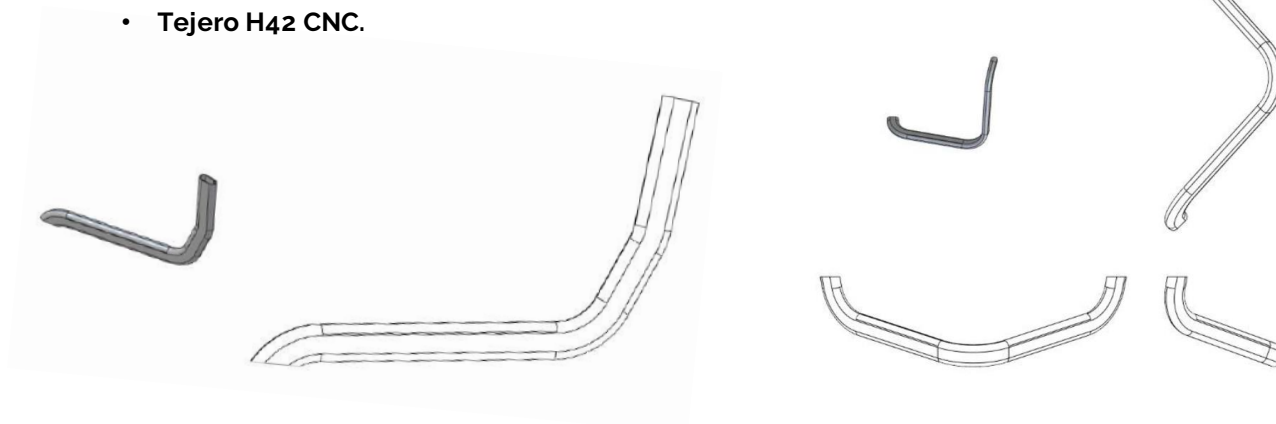
Tube bending is a **cold-forming process** applied to **metal tubes**.

We have **three bending machines**:

- Two multi-radius benders for tubes up to 65 mm in outer diameter.
- One additional bender for tubes up to 42 mm in outer diameter.

### Bending Machines:

- **Macri 45:** 6-axis machine, for tubes up to 45 mm in outer diameter.
- **Macri 65:** 6-axis machine, for tubes up to 65 mm in outer diameter.
- **Tejero H42 CNC.**



## WELDING

We have **five MIG/MAG welding robots** and **manual MIG/MAG welding** available.

### Examples of Welded Components:

- Trundle bed frame, cut in a press and welded.
- Assemblies and components for electric beds.
- Shopping cart structure.



## MACHINING

- **CNC Machining**

- CNC Vertical Machining Center
- HASS VF4
- CAM Software: 2.5-axis

- **Manual Machining**

- Lathe for prototypes
- Column drill
- Axial grinder



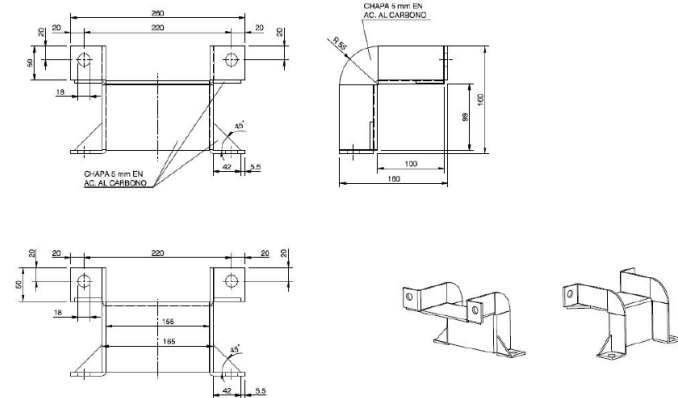
## LASER CUTTING & BENDING

With our extensive experience in **stamping**, we assess the feasibility of **laser cutting** and **press bending**, as for long production runs, using a press is often faster and more cost-effective than a press brake.

We offer **flat laser cutting services** for **carbon steel, stainless steel, and galvanized steel**. Our process optimizes **sheet utilization** to ensure **maximum efficiency** and provide the best service for both **short and long production runs**.

### LASER AMADA LCG-3015

- **Maximum Sheet Dimensions:** 3000 × 1500 mm
- **Maximum Thickness**
  - Carbon steel: 20 mm
  - Stainless steel: 10 mm
  - Galvanized steel: 3 mm



### PRESS BRAKE AMADA HFE-M2 100 Tm

- **Maximum Bending Length:** 3000 mm



## INFRASTRUCTURE



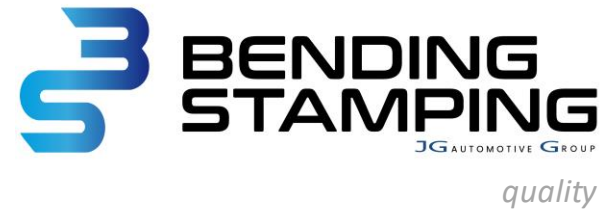


## INFRASTRUCTURE



## INFRASTRUCTURE





## DOCUMENTATION

**JG Automotive Group** ensures accurate and up-to-date documentation at all stages of development and production, guaranteeing **smooth communication** and **high-quality standards**.



Corporate Social Responsibility



Socially Responsible Investing



Responsible Minerals Policy

---



### **“PAIP” : Program: Grants for Industry and SMEs in Aragón**

This company participates in the **"PAIP" Program**, which aims to promote the growth and consolidation of SMEs by improving their financing, technology, and access to advanced support services.

**Objective of the operation:** Achieve a more competitive business fabric

**Operation co-financed by the European Union**

**Operational Program European Regional Development Fund Aragón 2014-2020**

*Building Europe from Aragón*



**BENDING  
STAMPING**  
JG AUTOMOTIVE GROUP



VISIT OUR WEBSITE

**in** /in/jgautomotive

**JG** AUTOMOTIVE  
Your partner in metal solutions

Av. de la Industria, 32D  
28108, Alcobendas  
Madrid



**BENDING  
STAMPING**  
JG AUTOMOTIVE GROUP

C. Río Huerva, Naves 24-25-26  
50410, Cuarte de Huerva,  
Zaragoza

**+34 91 657 28 74**

comercial@jgautomotive.com

**JG** AUTOMOTIVE GROUP  
Your partner in metal solutions