



CORPORATE DOSSIER



Phone:

+34 945 290 368

+34 916 572 874

Mail:

comercial@jgautomotive.com | indaraba@indaraba.es

www.indaraba.es



JG AUTOMOTIVE
Your partner in metal solutions



INDEX

ABOUT US	4	MACHINERY	20
INDUSTRIAS ARABA	4	CONTROL EQUIPMENT	22
JG AUTOMOTIVE	6	RENISHAW EQUATOR™ 500	24
CNC MACHINING FACTORY	14	MANAGEMENT INFORMATION SYSTEM	26
ENGINEERING	18	CERTIFICATIONS	28

INDUSTRIAS ARABA

Industrias Araba (Indaraba), founded in 1977, is a prominent company specializing in the manufacturing of high-complexity and high-responsibility parts through **CNC machining**. With over 60 employees, Indaraba has established itself as a benchmark in the **automotive sector**, offering high-precision and quality products in medium and large production runs. Its expertise in CNC machining and commitment to excellence and innovation enable it to serve highly demanding sectors, ensuring customer satisfaction through **advanced and customized technical solutions**.

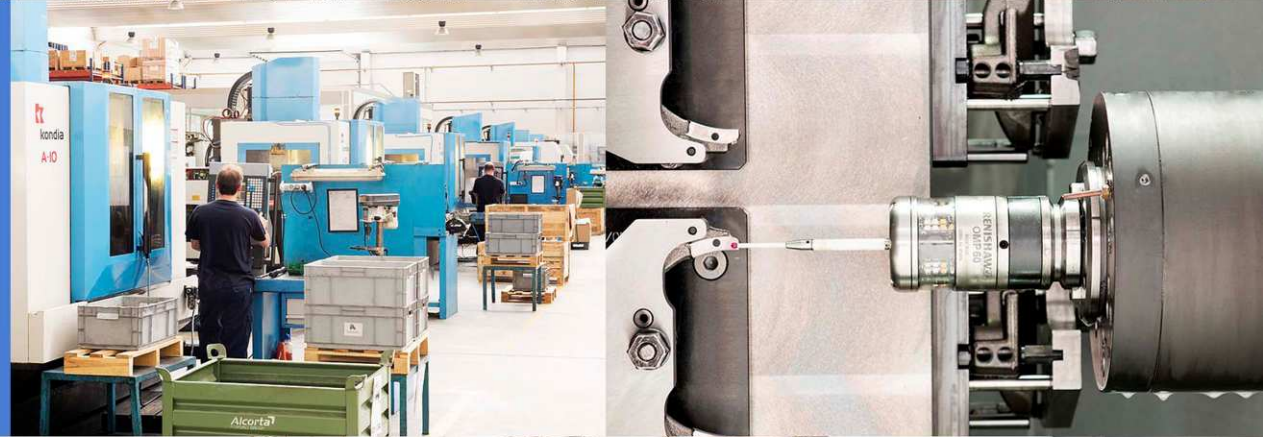
In May 2024, **Indaraba** joined the **JG Automotive Group**, strengthening its operational capacity and expanding its competencies and market reach. This merger represents a significant milestone, opening new opportunities for growth and technological development. Since its founding, Indaraba has maintained a steadfast commitment to quality, innovation, and customer satisfaction. Now, as part of JG Automotive, it will continue to pursue excellence in every project, solidifying its position as a reliable and cutting-edge provider in the **CNC machining sector**.





At Indaraba, we manufacture high-complexity parts through CNC machining, specializing in the automotive sector and serving demanding industries with medium and large production runs.

— INDARABA





JG AUTOMOTIVE

Your partner in metal solutions

about us

JG AUTOMOTIVE

Founded in 1982, **JG Automotive** main activity is the development, manufacturing and supply of metal components and parts for **automotive industry and general industry**.

In 2002 we founded with another 18 partners **Global Alliance Automotive**. This big group has 230 engineers that cooperate with manufacturers in Brazil, Germany, China, India, Italy, South Korea, USA and some other countries, handling a total yearly turnover of **1,720 M€**.

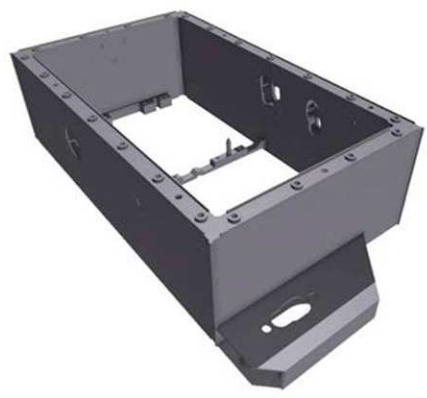
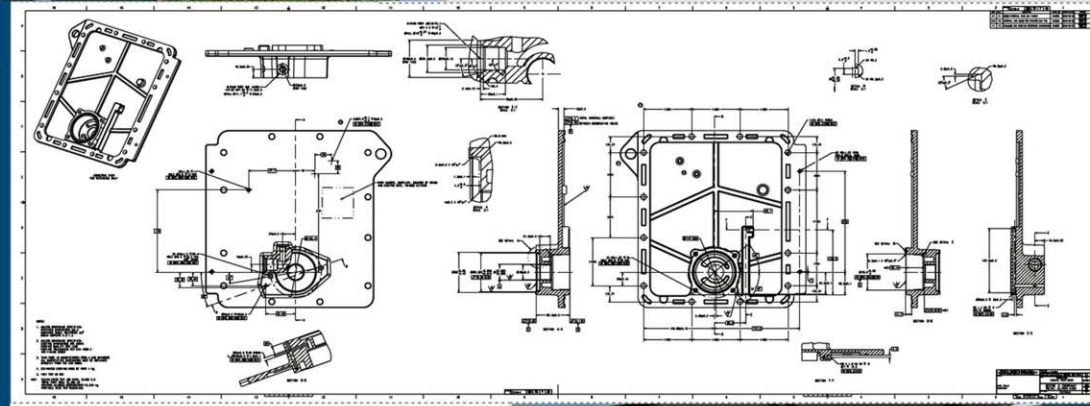
JG Automotive is a reference as supplier of **metallic components** produced under customer design and specifications. We manage the most advanced technologies for production: hot and cold forging, investment casting, aluminum casting, machining, sintering, MIM, stamping, fine blanking, wire forming, etc. Thanks to our extensive knowledge of all this productive technologies, we have a big variety the industrial sectors where we can reach a big variety of industrial sectors where we can work with **optimal results in terms of quality and cost**.





We are a reference in the market as manufacturers and suppliers of metallic components designed under our customers specifications, for automotive components or general industry applications, though the use of the most advanced manufacturing technologies and techniques.

— JG AUTOMOTIVE



AUTOMOTIVE INDUSTRY

DIRECTCUSTOMERS



- Baires (Buenos Aires)
- Bielefeld Unformtechnik GmbH.
- Cerveira Lda.
- Esmar
- Global Tooling S.L.
- Navarra
- Palau
- Palencia
- Puebla Sa De Cv
- Vendas Novas Unipessoal



- Goiain
- Forjas Minas
- Gameko
- Mar Sk Ro
- Mecauto
- Nova Recid
- Recitec
- Zdanice
- Egaña



QUALITY FOR LIFE

- Kober
- SAS
- Austria
- Paderborn



- Polska
- Sa De Cv



- ITW Mikalor
- ITW Global Fastener España
- ITW Shakeproof
- ITW Rivex



Your partner in metal solutions

clients



- ZF Friedrichshafen AG
- ZF Hungária KFT
- ZF Bouthéon S. A. S
- ZF do Brasil
- ZF Kama



- Altan Plastik
- Aptiv
- Irfan Plastik
- Ocak Kalip



- Pontedera



JOHN DEERE

- JD Germany
- JD USA
- JD Spain

INDIRECTCUSTOMERS



- Adient | Alagon
- Adient | Calatorap



- Kayaba Suspensiones Europe



- Sekurit España
- Sekurit Portugal



AUTOMOTIVE INDUSTRY

DIRECTCUSTOMERS



- Metalsmelting
- Microplásticos
- Plásticos ABC
- Promot Zaklady Metalowe
- Schmittergroup AG
- Thermolympic S.L.
- Vactron S.A
- Alcorta Forging Group
- Apinex
- Argus Fluidhandling LTD.
- Booster Precision Industrial
- Beon Automotive
- BST Rods
- Cigüeñales Sanz
- Comercial de La Forja
- Denso Group
- Dresser-Rand
- Grupo Riza
- Industrias Ochoa
- Kendrion GmbH
- AUSA

JG AUTOMOTIVE

Your partner in metal solutions

clients

INDIRECTCUSTOMERS

- Cikautxo
- Edscha
- Freudenberg
- MMM Autoparts
- Montajes Abrera
- NSG Pilkington
- Pierburg



MANUFACTURING INDUSTRY

DIRECTCUSTOMERS

- AMPO
- Axolia Luxembourg
- Covalma
- Comexi
- CAF Signalling
- Diametal SAS France
- Expal
- Electrowatt France
- Grupo Klam
- Grupo Betico
- Hitachi energy
- Grupo Defontaine
- Hellstens Mecaniska AB
- MRO Defence S.L.
- Mondragon Group
- Ros Roca
- Rexnord Flaptop Europe
- Sedecal
- Thielmann Spain
- TSK Flagsol GmbH
- United Tech. (UTC)
- Wistra GmbH
- Vilisto GmbH
- Roquet
- Zitron S.A.
- Hitachi

AGRICULTURAL

DIRECTCUSTOMERS

- Bellota
- CBM S.p.A.
- Sistemas Horticolas Almería
- Osmaq
- Capilla
- Tenias
- Agrimac

INDIRECTCUSTOMERS

- Columbia Gear Corporation

WIND ENERGY

DIRECTCUSTOMERS

- Hine
- Siemens Gamesa
- Glual
- Vestas®

NAVAL

DIRECTCUSTOMERS

- Navantia
- Guascor Energy
- MG Sanders
- Irongrip

ELEVATION

DIRECTCUSTOMERS

- HIAB
 - HIAB Finland Oy
 - HIAB Poland SP Z.O.O
 - HIAB Sweden AB
 - HIAB Shanghai
 - DEL Equipment Ltd
 - HIAB Cranes S.L.
 - Waltco Lift Corporation
- Cemvisa Vicinay
- MP Componentes
- Stacke
- Wittur
- Zardoya Otis

HIGH PRESSURE CYLINDERS

DIRECTCUSTOMERS

- Drager Medical Hispania
- Linde Group
- Marioff Hi-Fog
- Praxair

RAILWAY

DIRECTCUSTOMERS

- Alstom
- CAF
- Refis
- Stadler-Vossloh
- BARAT Group

BUSES

DIRECTCUSTOMERS

- Hispacold
- Irizar
- Leciñena

MOTORBIKES

DIRECTCUSTOMERS

- Gas Gas
- Sherco
- Rieju
- Torrot
- Piaggio Group



JG AUTOMOTIVE

Your partner in metal solutions
international presence



HEADQUARTER

 Madrid

FACTORIES

 Barcelona

 Vizcaya

OFFICES

 Estambul

 Delhi

 Chennai

 Chongqing

 Ningbo

 Torino

 Barcelona

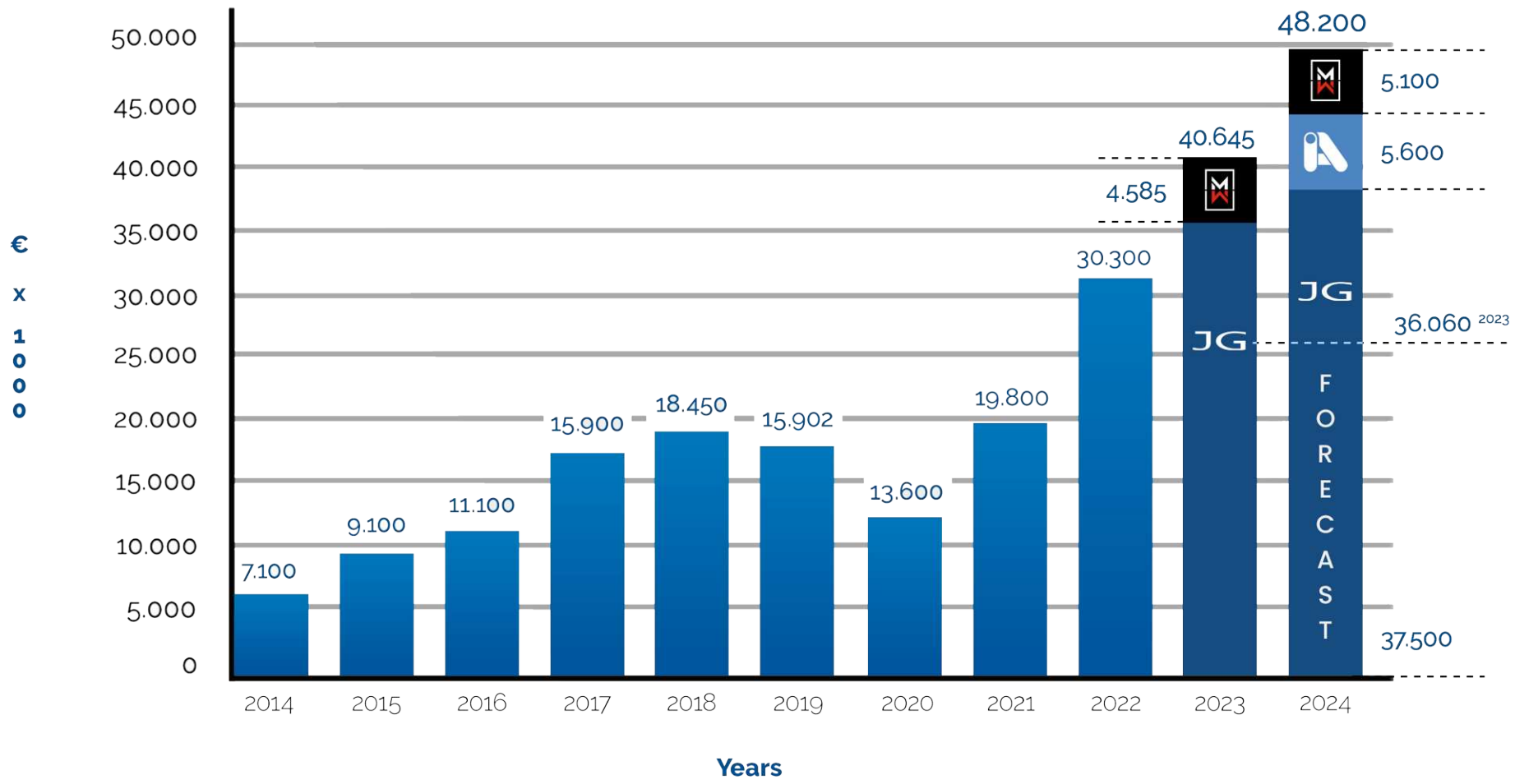
 Lyon



JG AUTOMOTIVE

Your partner in metal solutions

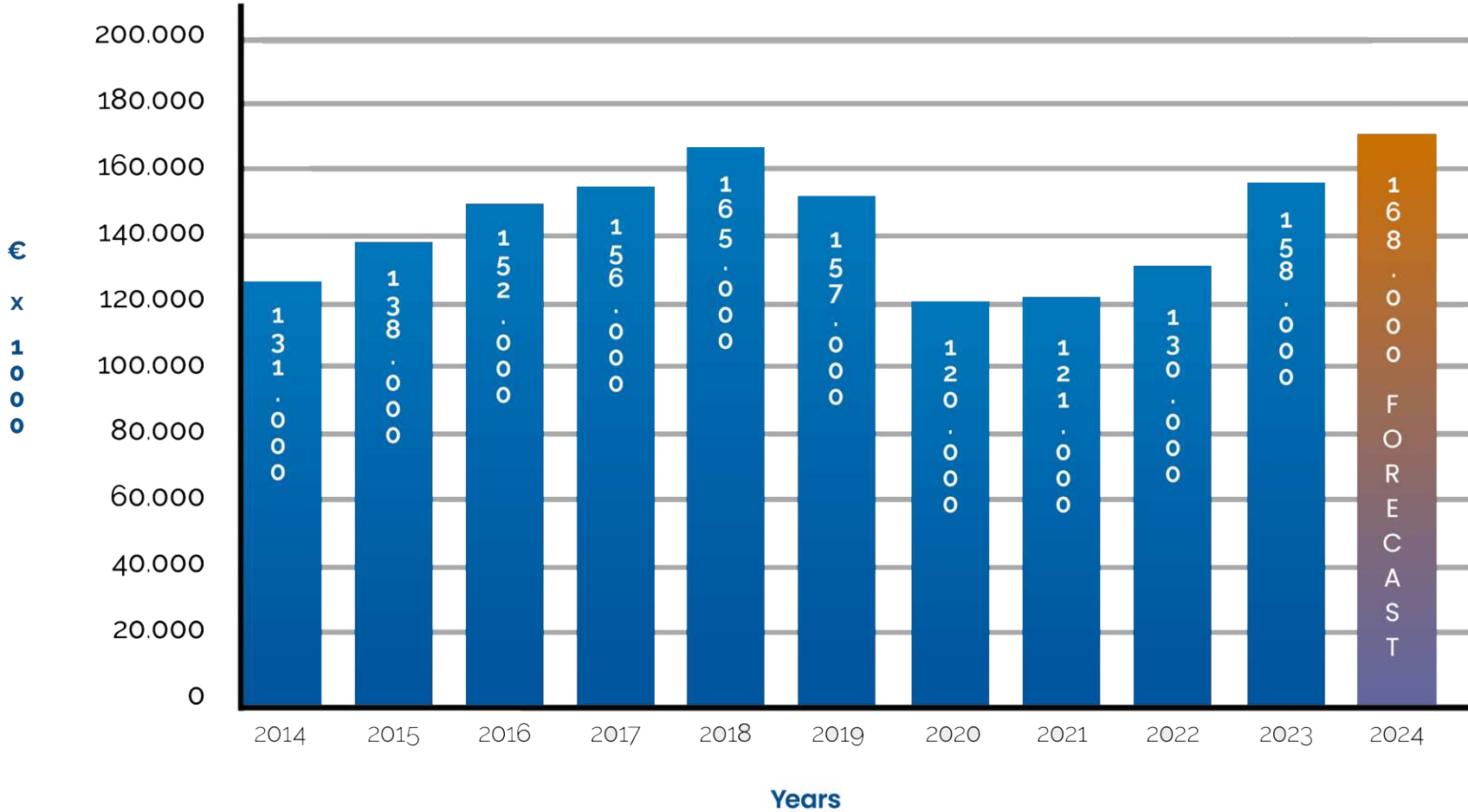
sales

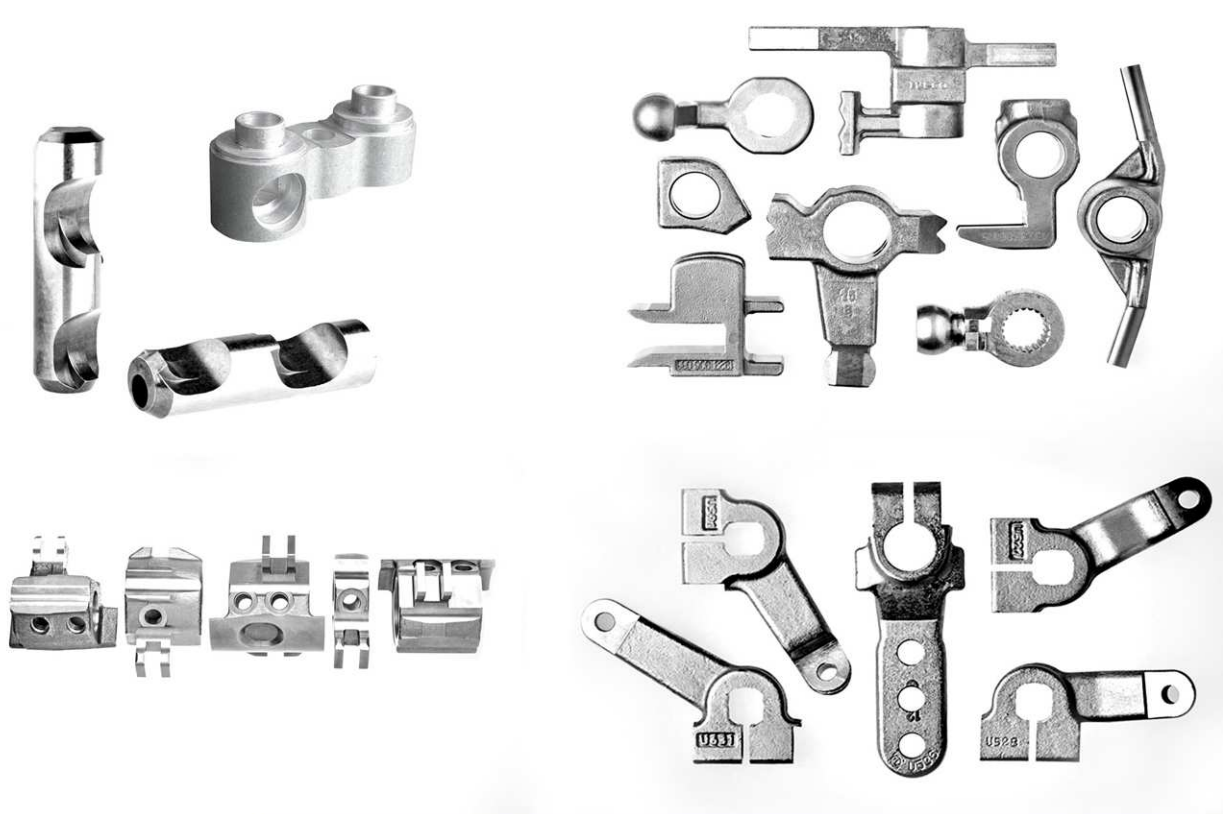
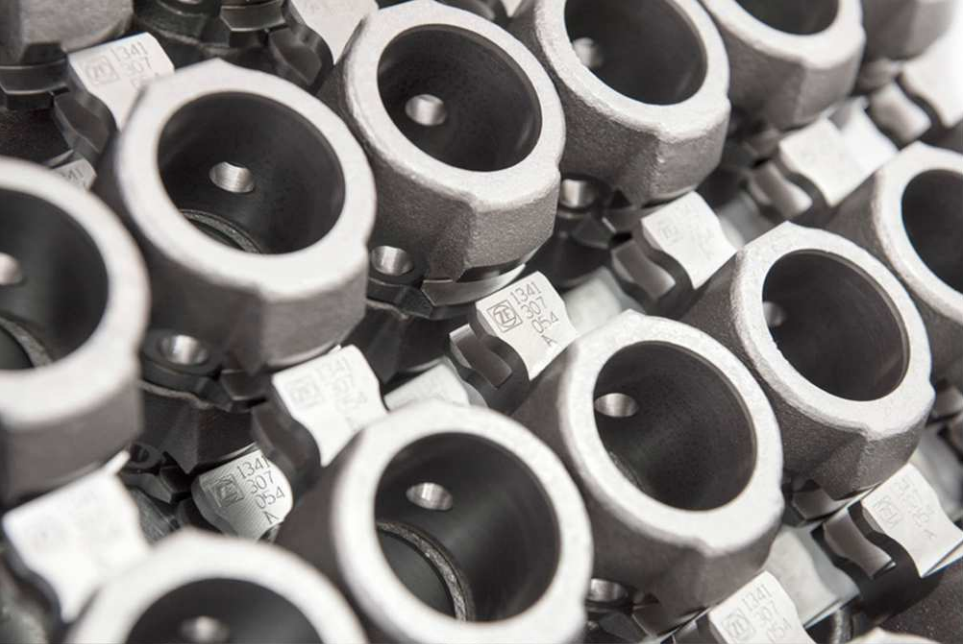


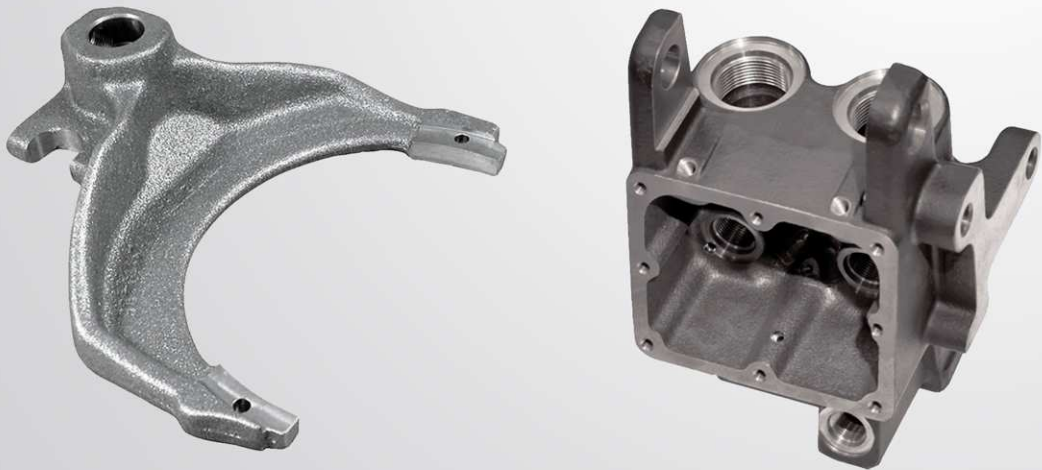
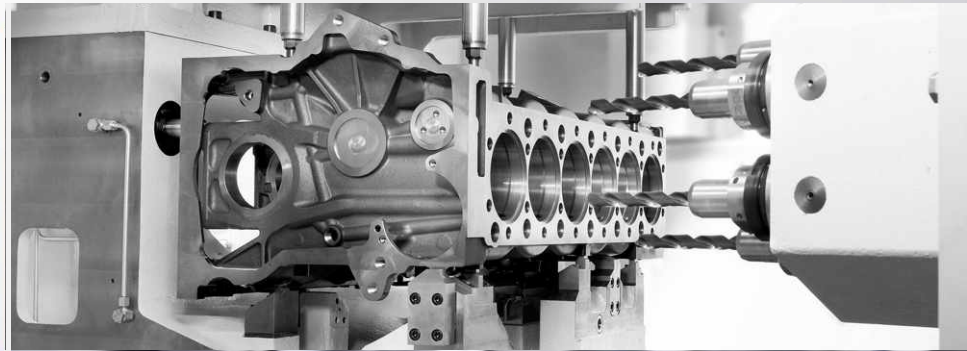
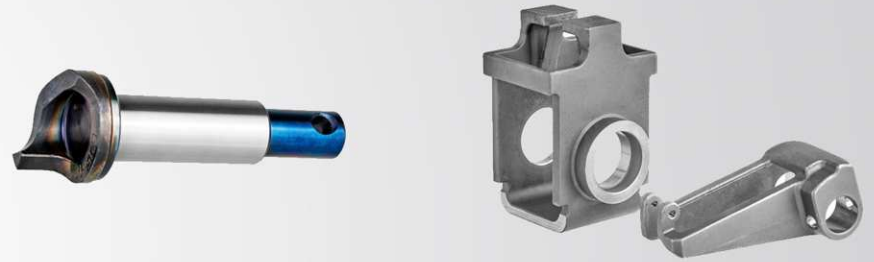
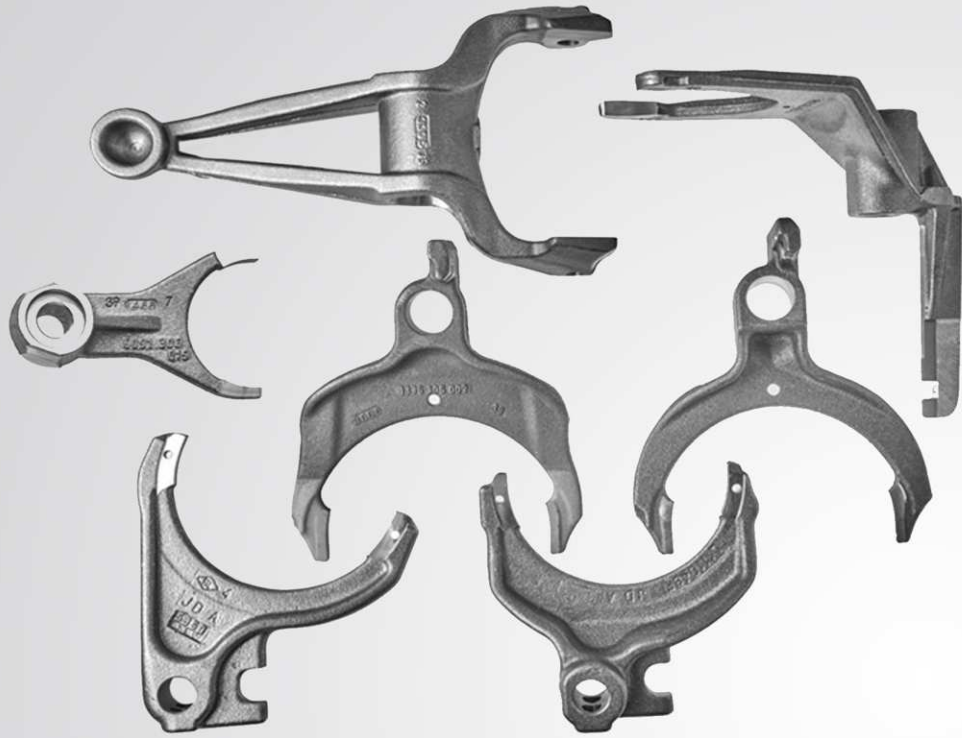
JG AUTOMOTIVE

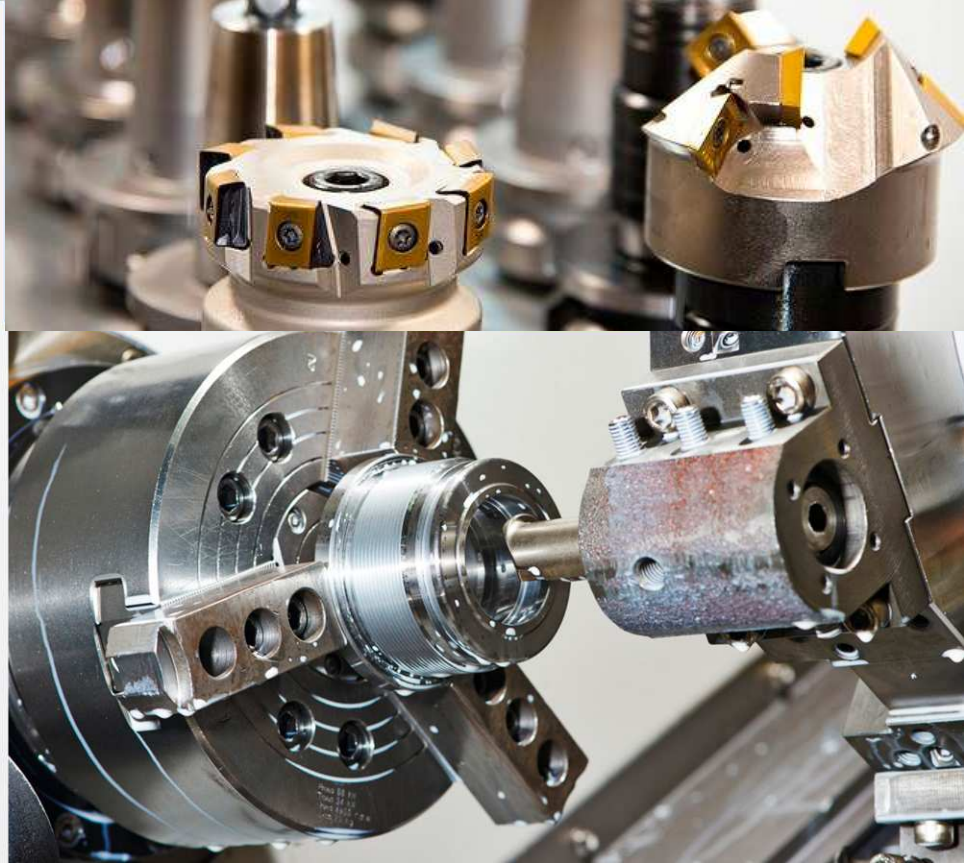
Your partner in metal solutions

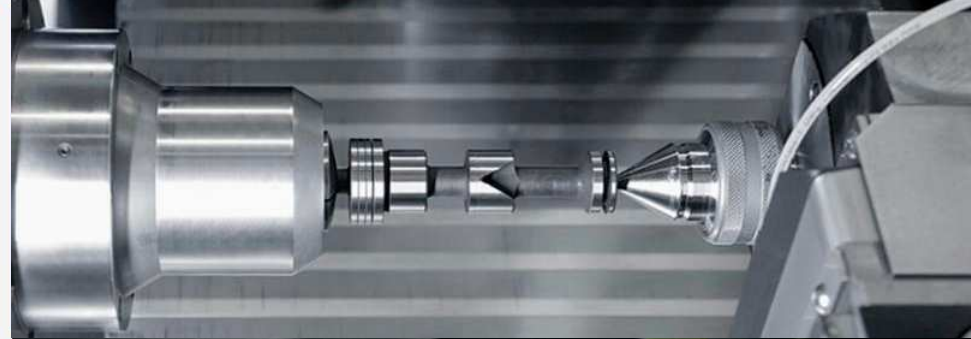
principal sales











ENGINEERING

At **Indaraba**, we help our clients achieve the optimal manufacturing of their parts.

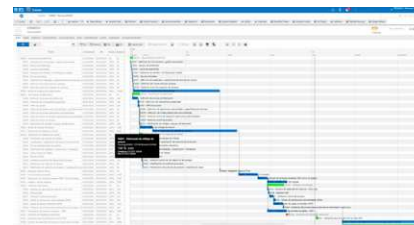
Design and Modeling of Parts

- Product Co-Design
- Process Improvement
- Cost Reduction
- 3D & 2D CAD:
 - » IGES, PRT, DWG y DXF



Manufacturing Planning

- Thermal or Surface Selection of Raw Materials and Treatments
- MRP Material Requirements
- Workflow
- Resource Optimization



Diseño y Fabricación de Utillajes

- Tooling Design
- 3D Fixturing Simulation
- Tooling Fabrication
- Comprehensive Maintenance



For more information:
www.indaraba.es/ingenieria/



ENGINEERING

Tool Design and Modeling

- R&D for Special Cutting Tools
- Custom Cutting Tool Manufacturing, Maintenance, and Resharpener



Production and Quality Control

- Real-Time Data Capture on the Shop Floor
- Document Management
- Online Warehouses
- Integrated Traceability
- Statistical Process Control (SPC)
- Integrated ERP
- Integrated Customer Portals



For more information:
www.indaraba.es/ingenieria/

MACHINERY

At **Indaraba**, we have state-of-the-art machines along with the most modern and flexible facilities.

Our Machines

- 8 Mori Seiki Horizontal Machining Centers, 500 Pallet
- Numerical Control Milling Machines
- Precision Surface Grinding Machine
- 2 Vertical Broaching Machines
- 4 SUNNEN Internal Honing Machines, capacity 1.5 to 165 mm. ø int.
- Column Drills
- Cut-Off Machine
- Automatic Cycle Tapping Machine
- 12 Vertical 4-Axis CNC Machining Centers with Tables up to 1000
- STUDER Profile Grinding and Sharpening Machine

Our Products

- **Weights:** Up to 25 kg
- **Sizes:** Up to 500 x 500 x 750 mm
- **Production Volumes:** Total parts manufactured per year: 2,500,000

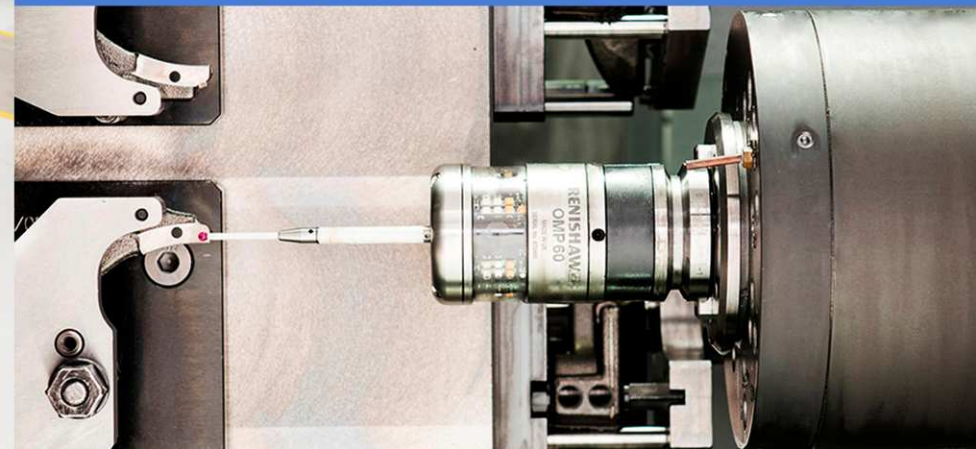


For more information:
www.indaraba.es/ingenieria/



We have equipment and machinery that enable us to offer comprehensive services across various CNC machining techniques in the industry.

— INDARABA





CONTROL EQUIPMENT

Indaraba's **metrology laboratory** is equipped with the most advanced control tools for **verifying the quality** of manufactured products, including:

- 3D Coordinate Measuring Machine with an indexable CNC head and integrated SPC software.
- Profile Projector with up to 100x magnification.
- Hardness testers, gauge blocks, thickness gauges, and conventional verification equipment.
- Mitutoyo Contourgraph CV-2000.

Design and **manufacture of special control tools**.



For more information:
www.indaraba.es/calidad/



CAMBIO CENTRO H08 (NHX5000)

Producción Avisos AQ Avisos Herramientas Máquinas Consultas

Orden	Fase	Descripción Fase	Lanz.	Fab.	Avance	Fecha fin	N°Cav	N°CNC	Utilaje	Artículo	Descripción
2400152	5	Mecanizado CNC H	3,648	3,171	86,9%	11/07/2024	8	00088	UCH017	P024006	Fork
2400170	10	Mecanizado completo CNC	1,078	483	45,1%	17/07/2024	4	00071	UCH018	P034002	Bruca1

ESTADO: INCIDENCIA 09/07/2024 10:49:04 Automática

Contador	Valor
OK TURNO	16
NO OK TURNO	0
TOTAL OK OF	483
TOTAL NO OK OF	8
TOTAL NO OK OF %	1
Cont Ent. 181131	64
Cont Salida	68

Rech: RECH, MPP: MPP, CONT: CONT

For more information:
www.indaraba.es/calidad/

RENISHAW EQUATOR™ 500

The larger **Equator 500™** system allows for the measurement of larger parts, with a surface area of 500 mm in diameter and up to 400 mm in height.

The two Equator gauge systems, 300 and 500, maintain precision between 5 °C and 50 °C despite temperature changes and can measure at speeds exceeding 200 mm/s.

All systems are compatible with the user-friendly Organiser software, the EZ-IO program for automation, and the IPC (Intelligent Process Control) software for tool correction updates in CNC machines.

Larger Measurement Volume

The **Equator 500™ system**, when used with the **SM25-2 scanning module**, has a measurement volume of 500 mm in the X/Y plane and 250 mm in the Z direction, which can be extended to 400 mm in Z with the SM25-3 module. This system supports up to 100 kg of weight, including workpieces and fixtures. Its applications include the **manufacturing of engine components**, transmissions, suspensions, stamped parts, valves, and pumps for cars and trucks.



For more information:
www.indaraba.es/calidad/

RENISHAW EQUATOR™ 500

**Precision with Rapid Temperature Changes,
Now with a Range of Over 45 °C**

Climate conditions can cause daily and seasonal temperature variations in a workshop. The Equator system overcomes these changes through recalibration, allowing measurement to start immediately after producing the first part and continue regardless of temperature fluctuations..

**Automatic Tool Correction Updates Directly
on Equator 300 and 500 Systems**

The **Equator range is compatible with IPC** software, which enables automatic control and adjustment of **machining operations**, ensuring that part dimensions remain within tolerance limits. This improves manufacturing quality and reduces part rejection. Positioned close to **CNC machines**, the Equator system adjusts the process directly at the manufacturing point, avoiding delays caused by end-of-process measurements. An Equator system can be connected to one or **multiple CNC machine tool controls**.



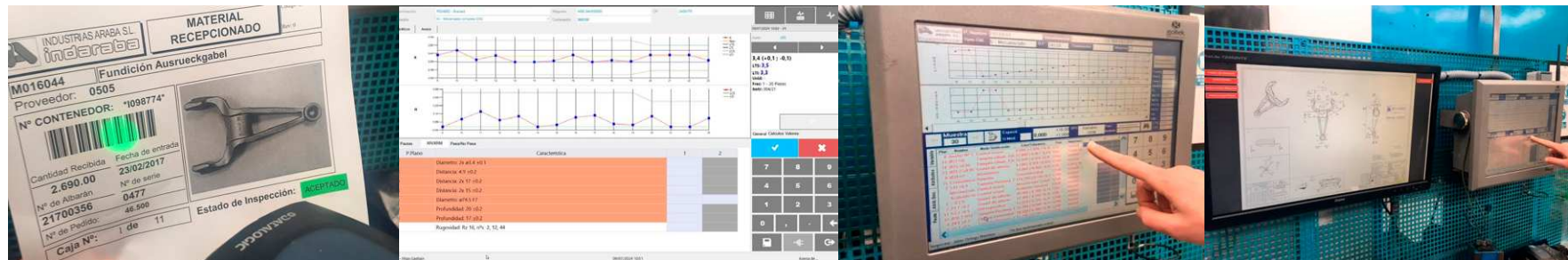
For more information:
www.indaraba.es/calidad/



MANAGEMENT INFORMATION SYSTEM

The **comprehensive quality management software, integrated with the ERP system and the real-time data capture system on the shop floor**, provides immediate information on control operations to be performed, as well as the recording of self-inspection data and SPC capability studies.

Additionally, it manages and plans all information related to product quality, including the complete development of the "APQP" project, as well as the management of non-conformities, documentation, calibration, and PPAP sample reports, always in compliance with the **IATF 16949** standard.



For more information:
www.indaraba.es/calidad/

CERTIFICATIONS

To ensure a **quality-focused management system**, Indaraba has obtained and applies the certification relevant to its activities, always striving to maintain continuous improvement in product and process.

— IATF 16949:2016



— VDA 6.3



— ISO 14000



Quality, Present in All Our Processes

At **Indaraba**, we are committed to excellence.

For more information:
www.indaraba.es/calidad/



DOCUMENTS

JG Automotive Group ensures accurate and up-to-date documentation at all stages of development and production, guaranteeing smooth communication and high quality standards.



— Socially Responsible Investing



— Responsible Minerals Policy



— Corporate Social Responsibility

For more information:
www.indaraba.es/documentos/



ADDRESS:

Calle Uzbina, 1 (Polig. Ind. Júndiz)
01015 Vitoria-Gasteiz, Álava
Spain

PHONE:

(+34) 945 290 368

MAIL:

comercial@jgautomotive.com

WEB:

www.indaraba.es



ADDRESS:

Avenida de la Industria, 32D
28108 Alcobendas, Madrid
Spain

PHONE:

(+34) 916 572 874

MAIL:

comercial@jgautomotive.com

WEB:

www.jgautomotive.com

For more information:
www.indaraba.es/contacto/
www.jgautomotive.com/contacto/



JG AUTOMOTIVE
Your partner in metal solutions